

▼ Shown from left to right: CLSG-506, CLSG-4006, CLSG-2506 with optional collar thread



- Integral stop ring provides piston blow-out protection
- Baked enamel outside finish and plated pistons provide superior corrosion protection
- Unique bearing design withstands sideload forces up to 10% of rated cylinder capacity without scoring
- Base mounting holes standard on all models
- Plunger wiper reduces contamination ingress, extending cylinder life
- Single-acting load return

▼ Eight CLSG-2506 cylinders equipped with tilting saddles lifted the planking of the bridge as the pier heads were being rebuilt.



The Single-Acting Heavy Lifting Solution with Integral Stop Ring



Saddles
All CLSG series cylinders are equipped with bolt-on removable grooved saddles. For information on optional tilt saddles, see selection chart.

Page: 33



Gauges
Minimize the risk of overloading and ensure long, dependable service from your equipment. Refer to the System Components Section for a full range of gauges.

Page: 118



Optimum Performance
Enerpac's range of Hushh electric pumps, fitted with manual or solenoid operated 3-way valves, offer optimum combinations with CLSG cylinders.

Page: 82



Low Height - High Tonnage
When low height with high force is required, Pancake Cylinders with locknut offer the solution to lift the first few centimeters.

Page: 14



Standard Features

- Interchangeable, hardened grooved saddles
- CR-400 Coupler and dust cap
- Top and side mounted lifting eyes
- All cylinders meet PREN 1494, ANSI B-30.1 and ISO 10100 Standards

▼ QUICK SELECTION CHART
For complete technical information see next page.

Cylinder Capacity (tons) Nominal [maximum]	Stroke (in)	Model Number	Cylinder Effective Area (in ²)	Oil Capacity (in ³)	Collapsed Height (in)	Weight (lbs)	
50 [59]	1.97	CLSG-502	11.81	23.25	6.38	37	
	3.94	CLSG-504	11.81	46.50	8.35	44	
	5.91	CLSG-506	11.81	69.75	10.31	51	
	7.87	CLSG-508	11.81	93.00	12.28	60	
	9.84	CLSG-5010	11.81	116.25	14.25	68	
100 [103]	1.97	CLSG-1002	20.57	40.50	7.16	42	
	3.94	CLSG-1004	20.57	81.00	9.13	64	
	5.91	CLSG-1006	20.57	121.50	11.09	88	
	7.87	CLSG-1008	20.57	162.00	13.06	110	
	9.84	CLSG-10010	20.57	202.50	15.03	134	
150 [154]	1.97	CLSG-1502	30.78	60.58	7.72	86	
	3.94	CLSG-1504	30.78	121.17	9.69	115	
	5.91	CLSG-1506	30.78	181.75	11.65	143	
	7.87	CLSG-1508	30.78	242.33	13.62	172	
	9.84	CLSG-15010	30.78	302.92	15.59	203	
200 [206]	1.97	CLSG-2002	41.22	81.13	8.50	121	
	5.91	CLSG-2006	41.22	243.40	12.44	201	
	11.81	CLSG-20012	41.22	486.79	18.35	322	
	250 [284]	1.97	CLSG-2502	56.80	111.81	9.25	196
		5.91	CLSG-2506	56.80	335.42	13.19	300
11.81		CLSG-25012	56.80	670.84	19.09	456	
300 [354]	1.97	CLSG-3002	70.71	139.19	12.28	406	
	5.91	CLSG-3006	70.71	417.56	16.22	511	
	11.81	CLSG-30012	70.71	835.11	22.13	668	
400 [434]	1.97	CLSG-4002	86.78	170.84	14.74	595	
	5.91	CLSG-4006	86.78	512.51	18.68	728	
	11.81	CLSG-40012	86.78	1025.02	24.59	928	
500 [566]	1.97	CLSG-5002	113.25	222.92	16.50	884	
	5.91	CLSG-5006	113.25	668.77	20.43	1058	
	11.81	CLSG-50012	113.25	1337.55	26.34	1321	
600 [663]	1.97	CLSG-6002	132.57	260.97	16.89	1045	
	5.91	CLSG-6006	132.57	782.90	20.83	1246	
	11.81	CLSG-60012	132.57	1565.81	26.73	1545	
800 [912]	1.97	CLSG-8002	182.32	358.91	18.66	1634	
	5.91	CLSG-8006	182.32	10776.72	22.60	1941	
	11.81	CLSG-80012	182.32	2153.44	28.50	2332	
1000 [1136]	1.97	CLSG-10002	227.19	447.23	22.20	2341	
	5.91	CLSG-10006	227.19	1341.68	26.14	2674	
	11.81	CLSG-100012	227.19	2683.35	32.05	3172	

CLSG Series



Capacity:
50-1,000 tons

Stroke:
1.97-11.81 inch

Maximum Operating Pressure:
10,000 psi



Additional Stroke Lengths
Models above 150 tons are also available with standard stroke lengths of 4, 8 and 10 inches. Please contact Enerpac for ordering information and dimensional details.

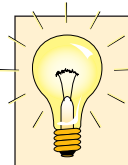


Lifting an Unbalanced Load?
See our "Yellow Pages" for multi-cylinder set-ups.

Page: 104



Order your free copy of the Enerpac brochure on hydraulic systems for structural engineering. Call or visit us at www.enerpac.com.



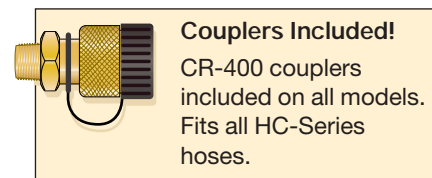
Optional feature
Collar threads are available as an optional feature on your cylinders by adding E002 to the end of the model number.

Collar threads E002

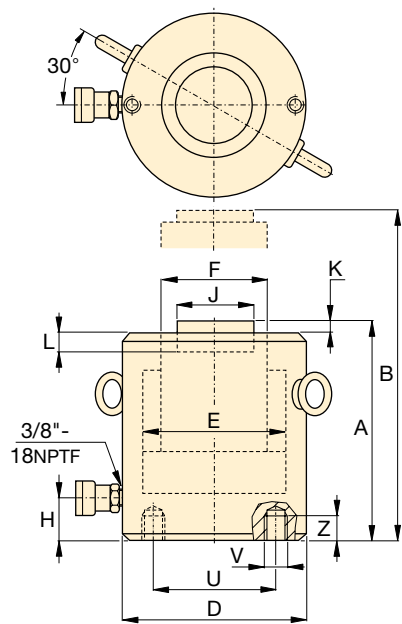
Example:
• For CLSG-5006 cylinder with collar threads, order: CLSG-5006 E002

Technical specifications for this feature are available from Enerpac.

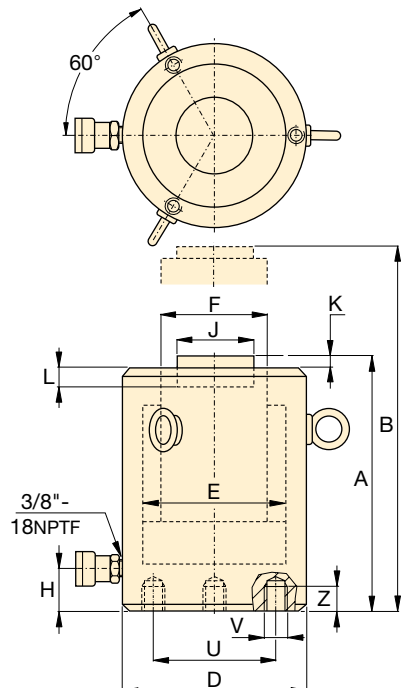
CLSG-Series, High Tonnage Cylinders



◀ For full features see page 30.



CLSG-50 to CLSG-150 models

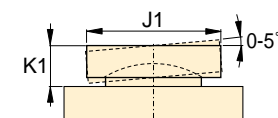


CLSG-200 to CLSG-1000 models

Cylinder Capacity (tons) Nominal [maximum]	Stroke (in)	Model Number	Cylinder Effective Area (in ²)	Oil Capacity (in ³)	Collapsed Height A (in)	Extended Height B (in)	Outside Dia. D (in)
50 [59]	1.97	CLSG-502	11.81	23.25	6.38	8.35	5.12
	3.94	CLSG-504	11.81	46.50	8.35	12.28	5.12
	5.91	CLSG-506	11.81	69.75	10.31	16.22	5.12
	7.87	CLSG-508	11.81	93.00	12.28	20.16	5.12
	9.84	CLSG-5010	11.81	116.25	14.25	24.09	5.12
	11.81	CLSG-5012	11.81	139.50	16.22	28.03	5.12
100 [103]	1.97	CLSG-1002	20.57	40.50	7.16	9.13	6.50
	3.94	CLSG-1004	20.57	81.00	9.13	13.06	6.50
	5.91	CLSG-1006	20.57	121.50	11.09	17.00	6.50
	7.87	CLSG-1008	20.57	162.00	13.06	20.94	6.50
	9.84	CLSG-10010	20.57	202.50	15.03	24.87	6.50
	11.81	CLSG-10012	20.57	242.99	17.00	28.81	6.50
150 [154]	1.97	CLSG-1502	30.78	60.58	7.72	9.69	8.07
	3.94	CLSG-1504	30.78	121.17	9.69	13.62	8.07
	5.91	CLSG-1506	30.78	181.75	11.65	17.56	8.07
	7.87	CLSG-1508	30.78	242.33	13.62	21.50	8.07
	9.84	CLSG-15010	30.78	302.92	15.59	25.43	8.07
	11.81	CLSG-15012	30.78	363.50	17.56	29.37	8.07
200 [206]	1.97	CLSG-2002	41.22	81.13	8.50	10.47	9.25
	5.91	CLSG-2006	41.22	243.40	12.44	18.35	9.25
	11.81	CLSG-20012	41.22	486.79	18.35	30.16	9.25
250 [284]	1.97	CLSG-2502	56.80	111.81	9.25	11.22	10.83
	5.91	CLSG-2506	56.80	335.42	13.19	19.09	10.83
	11.81	CLSG-25012	56.80	670.84	19.09	30.91	10.83
300 [354]	1.97	CLSG-3002	70.71	139.19	12.28	14.25	12.20
	5.91	CLSG-3006	70.71	417.56	16.22	22.13	12.20
	11.81	CLSG-30012	70.71	835.11	22.13	33.94	12.20
400 [434]	1.97	CLSG-4002	86.78	170.84	14.74	16.71	13.78
	5.91	CLSG-4006	86.78	512.51	18.68	24.59	13.78
	11.81	CLSG-40012	86.78	1025.02	24.59	36.40	13.78
500 [566]	1.97	CLSG-5002	113.25	222.92	16.50	18.46	15.75
	5.91	CLSG-5006	113.25	668.77	20.43	26.34	15.75
	11.81	CLSG-50012	113.25	1337.55	26.34	38.15	15.75
600 [663]	1.97	CLSG-6002	132.57	260.97	16.89	18.86	16.93
	5.91	CLSG-6006	132.57	782.90	20.83	26.73	16.93
	11.81	CLSG-60012	132.57	1565.81	26.73	38.54	16.93
800 [912]	1.97	CLSG-8002	182.32	358.91	18.66	20.63	19.88
	5.91	CLSG-8006	182.32	1076.72	22.60	28.50	19.88
	11.81	CLSG-80012	182.32	2153.44	28.50	40.31	19.88
1000 [1136]	1.97	CLSG-10002	227.19	447.23	22.20	24.17	22.05
	5.91	CLSG-10006	227.19	1341.68	26.14	32.05	22.05
	11.81	CLSG-100012	227.19	2683.35	32.05	43.86	22.05

Single-Acting, High Tonnage Cylinders

Optional Tilt Saddle *



Capacity:
50-1,000 tons

Stroke:
1.97-11.81 inch

Maximum Operating Pressure:
10,000 psi

CLSG Series



Cylinder Bore Dia. E (in)	Plunger Dia. F (in)	Base to Adv. Port H (in)	Standard Saddle Dia. J (in)	Saddle Protr. from Plgr. K (in)	Depth of Plunger Hole L (in)	Bolt			Weight (lbs)	Model Number	* Optional Tilt Saddle																															
						Bolt C. Dia. U (in)	Thread V (in)	Thd. Depth Z (in)			Dia. J1 (in)	Height K1 (in)	Model Number																													
3.88	2.76	2.05	1.97	.04	.75	2.56	M12	.87	37	CLSG-502	1.97	1.69	CATG-50																													
														44	CLSG-504	1.97	1.69	CATG-50																								
																			51	CLSG-506	1.97	1.69	CATG-50																			
																								60	CLSG-508	1.97	1.69	CATG-50														
																													68	CLSG-5010	1.97	1.69	CATG-50									
																																		75	CLSG-5012	1.97	1.69	CATG-50				
5.12	3.74	2.13	2.95	.04	.75	3.74	M12	.87	42	CLSG-1002	2.95	1.89	CATG-100																													
														64	CLSG-1004	2.95	1.89	CATG-100																								
																			88	CLSG-1006	2.95	1.89	CATG-100																			
																								110	CLSG-1008	2.95	1.89	CATG-100														
																													134	CLSG-10010	2.95	1.89	CATG-100									
																																		157	CLSG-10012	2.95	1.89	CATG-100				
6.26	4.49	2.40	3.70	.04	.75	5.12	M12	.87	86	CLSG-1502	3.70	1.96	CATG-150																													
														115	CLSG-1504	3.70	1.96	CATG-150																								
																			143	CLSG-1506	3.70	1.96	CATG-150																			
																								172	CLSG-1508	3.70	1.96	CATG-150														
																													203	CLSG-15010	3.70	1.96	CATG-150									
																																		231	CLSG-15012	3.70	1.96	CATG-150				
7.24	5.24	2.62	4.45	.04	.94	6.50	M12	.87	121	CLSG-2002	4.45	2.31	CATG-200																													
														201	CLSG-2006	4.45	2.31	CATG-200																								
																			322	CLSG-20012	4.45	2.31	CATG-200																			
																								8.50	6.50	2.87	5.71	.04											.94	7.48	M12	.87
																													300	CLSG-2506	5.71	2.75	CATG-250									
																																		456	CLSG-25012	5.71	2.75	CATG-250				
9.49	7.76	3.98	6.97	.04	.75	7.09	M16	1.42	406	CLSG-3002	6.97	3.17	CATG-300																													
														511	CLSG-3006	6.97	3.17	CATG-300																								
																			668	CLSG-30012	6.97	3.17	CATG-300																			
																								10.51	8.50	4.49	7.72	.12											1.06	8.07	M16	1.42
																													728	CLSG-4006	7.72	3.06	CATG-400									
																																		928	CLSG-40012	7.72	3.06	CATG-400				
12.01	9.76	4.49	8.98	.12	1.06	9.84	M24	1.50	884	CLSG-5002	8.98	3.54	CATG-500																													
														1058	CLSG-5006	8.98	3.54	CATG-500																								
																			1321	CLSG-50012	8.98	3.54	CATG-500																			
																								12.99	10.51	4.49	9.72	.12											1.06	10.83	M24	1.50
																													1246	CLSG-6006	9.72	4.05	CATG-600									
																																		1545	CLSG-60012	9.72	4.05	CATG-600				
15.24	12.48	5.87	11.69	.12	1.06	12.99	M24	1.50	1634	CLSG-8002	11.69	4.00	CATG-800																													
														1914	CLSG-8006	11.69	4.00	CATG-800																								
																			2332	CLSG-80012	11.69	4.00	CATG-800																			
																								17.01	13.50	6.85	12.72	.12											1.06	14.76	M24	1.50
																													2674	CLSG-10006	12.72	4.71	CATG-1000									
																																		3172	CLSG-100012	12.72	4.71	CATG-1000				